

Electric Sauna Heater Installation Instructions

- Heater must be installed by a certified professional
- Heater must be installed according to local codes
- Plastic must be removed from shell before operating heater
- Do not touch the heater
- Do not cover the heater
- Never hose down the sauna
- Sauna door must always open outward
- Sauna door can never include a lock
- Do not install more than one heater in a room
- Only use an aroma-stone when using fragrances
- Never leave children unattended
- Sauna bathing is not suitable for those with health problems.
- Consult a doctor before using

Sauna Room General Guidelines

- Heater must be installed according to code and by an licensed electrician
- The sauna should be constructed of cedar.
- Plastic must be removed from shell before operating heater.
- Do not treat of varnish the sauna wood.
- Fill the heater only with Scandia high-density rocks
- Check rock tray twice a year cleaning all dirt and rock pieces.

Sauna Room Venting Guidelines

Sauna room should be vented according to manufacturers specifications or Scandia sauna room specification found in the Scandia sauna installation instructions. Improper ventilation is dangerous for the health. Heater should be positioned near the door or as close to the door as possible without impeding traffic flow. The inlet vent should be below the heater or near the base of the heater. Outlet vent should be just below the top bench on the opposite side or near the opposite side of the heater.

Scandia/Vico Heater Sizing Guide					
Model series	Watts	Volt options	Phase options	Square feet	Square meters
30 series	3000	240	1	20 ft	6 m
45 series	4500	240	1	30 ft	9 m
60 series	6000	240	1	42 ft	13 m
75 series	7500	240	1	64 ft	19.5 m
90 series	9000	240	1/3	88 ft	27 m
12 series	12000	240	1/3	140 ft	44 m
15 series	15000	208	1/3	205 ft	63 m
18 series	18000	208	1/3	240 ft	73 m

ULTRA SAUNA HEATERS - Small (10 3/4" D x 16" W x 23 1/4" H)

Model	Watts	Volts	Phase	Amps	Max Room Size
30240	3000	240	1	12.5	20 sq ft (6.1 sq m)
30208	3000	208	1	14.4	20 sq ft (6.1 sq m)
45240	4500	240	1	18.8	30 sq ft (9.2 sq m)
45208	4500	208	1	21.7	30 sq ft (9.2 sq m)

ULTRA SAUNA HEATERS - Medium (14" D x 16" W x 28 3/4" H)

Model	Watts	Volts	Phase	Amps	Max Room Size
60240	6000	240	1	25	42 sq ft (12.8 sq m)
60208	6000	208	1	28.9	42 sq ft (12.8 sq m)
75240	7500	240	1	31.3	64 sq ft (19.5 sq m)
75208	7500	208	1	36.1	64 sq ft (19.5 sq m)
90240	9000	240	1	37.5	88 sq ft (27 sq m)
90240-3	9000	240	3	21.7	88 sq ft (27 sq m)
90208	9000	208	1	43.3	88 sq ft (27 sq m)
90208-3	9000	208	3	25	88 sq ft (27 sq m)

ULTRA SAUNA HEATERS - Large (18" D x 26" W x 29" H)

Model	Watts	Volts	Phase	Amps	Max Room Size
12240	12000	240	1	50	140 sq ft (44 sq m)
12240-3	12000	240	3	29	140 sq ft (44 sq m)
12208	12000	208	1	57.7	140 sq ft (44 sq m)
12208-3	12000	208	3	33.3	140 sq ft (44 sq m)
15240	15000	240	1	62.5	205 sq ft (63 sq m)
15240-3	15000	240	3	36.2	205 sq ft (63 sq m)
15208	15000	208	1	72.2	205 sq ft (63 sq m)
15208-3	15000	208	3	41.7	205 sq ft (63 sq m)
18240	18000	240	1	75	240 sq ft (73 sq m)
18240-3	18000	240	3	43.3	240 sq ft (73 sq m)
18208	18000	208	1	86.6	240 sq ft (73 sq m)
18208-3	18000	208	3	50	240 sq ft (73 sq m)

Electric Sauna Heater Installation Instructions

Sauna Heater and Guard Rail Placement Guide

Watts	1800	6000	12000
Watts	3000	7500	15000
Watts	4500	9000	18000
A	16	16	26
B	10 3/4	14	18
C	5	5	9
D	23 1/4	28 3/4	29
E	17	16	21
F	21	22 1/2	28
G	11	14	10 3/4
H	13	13	22
I	10	10	10
J	45	40	39

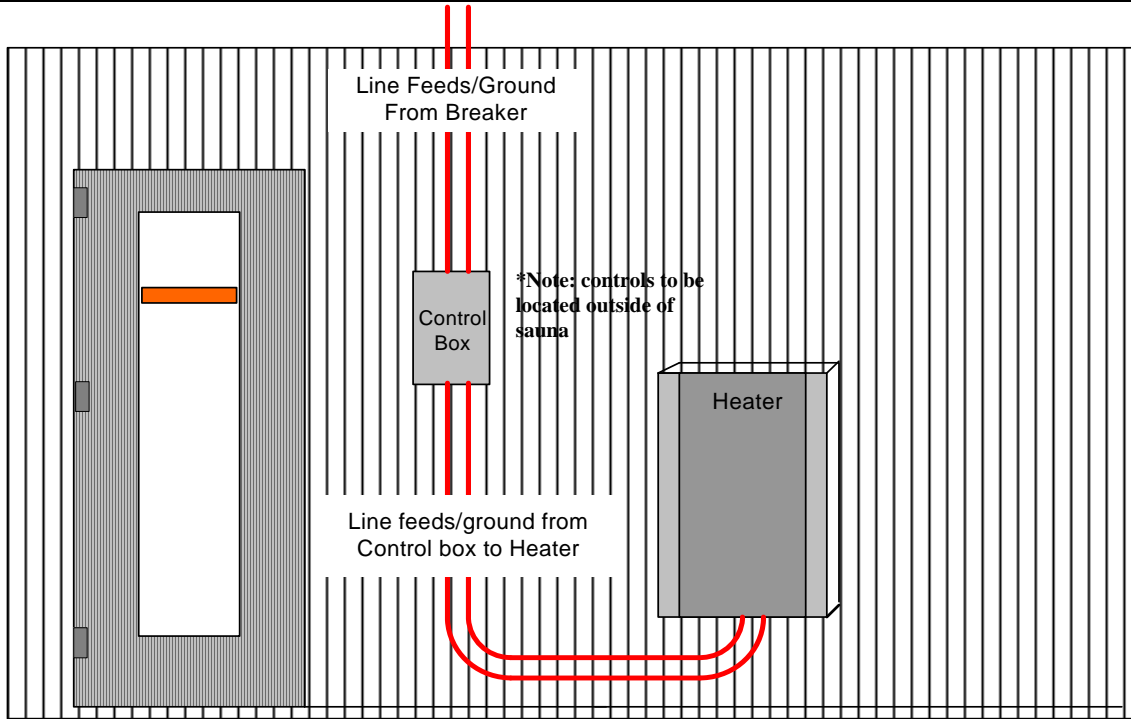
To Ceiling (H-7ft)

To wall or guard rail

Plastic must be removed from shell before operating

Installation Instructions

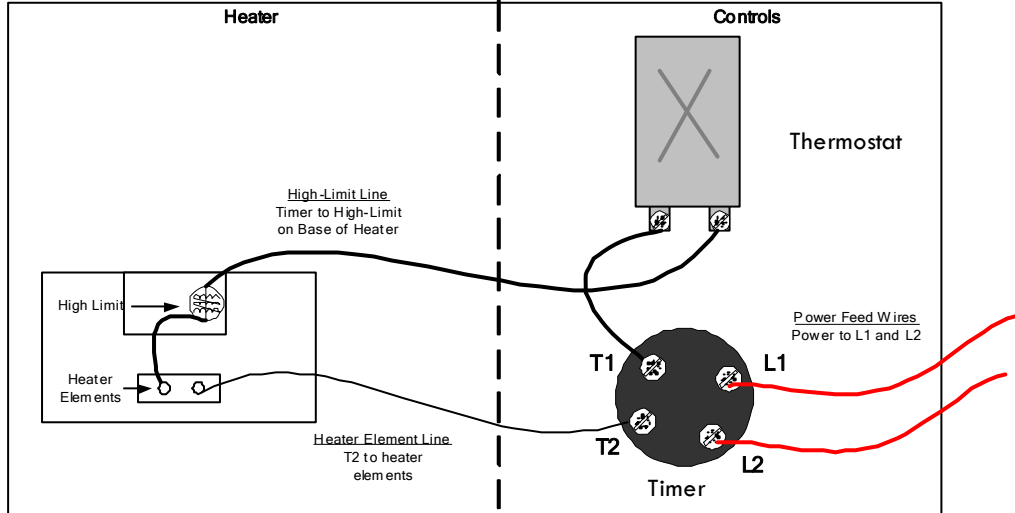
Model	Watts	Volts	Amps	Phase	Supply/Ground	Breaker	Wires Control to Heater
60240	6000	240	25	1	3 - #10	30	3- #10 / 2- #14
60208	6000	208	28.9	1	3 - #8	40	3- #8 / 2- #14
75240	7500	240	31.3	1	3 - #8	40	3- #8 / 2- #14
75208	7500	208	36.1	1	3 - #8	50	3- #8 / 2- #14
90240	9000	240	37.5	1	3 - #8	50	3- #8 / 2- #14
90240-3	9000	240	21.7	3	4 - #10	30	4- #10 / 2- #14
90208	9000	208	43.3	1	3 - #6	60	3- #6 / 2- #14
90208-3	9000	208	25	3	4 - #10	40	4- #10 / 2- #14
12240	12000	240	50	1	3 - #6	60	7- #10 / 2- #14
12240-3	12000	240	29	3	4 - #8	40	4- #8 / 2- #14
12208	12000	208	57.7	1	3 - #4	70	7- #10 / 2- #14
12208-3	12000	208	33.4	3	4 - #8	50	4- #8 / 2- #14



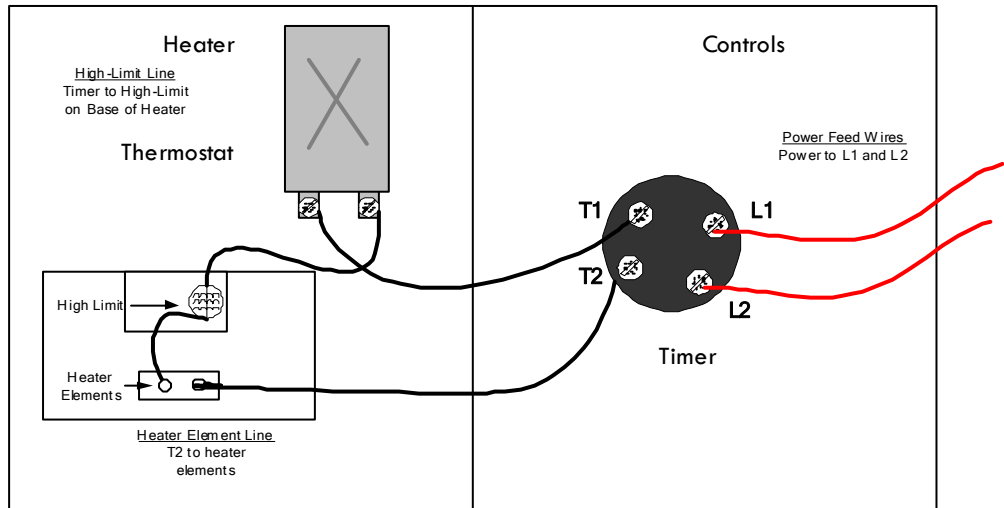
Model	Watts	Volts	Amps	Phase	Supply/Ground	Breaker	Wires Control to Heater
75240	7500	240	31.3	1	3 - #8	40	3- #8 / 2- #14
75208	7500	208	36.1	1	3 - #8	50	3- #8 / 2- #14
90240	9000	240	37.5	1	3 - #8	50	3- #8 / 2- #14
90240-3	9000	240	21.7	3	4 - #10	30	4- #10 / 2- #14
90208	9000	208	43.3	1	3 - #6	60	3- #6 / 2- #14
90208-3	9000	208	25	3	4 - #10	60	4- #10 / 2- #14
12240	12000	240	50	1	3 - #6	60	7- #10 / 2- #14
12240-3	12000	240	29	3	4 - #8	40	4- #8 / 2- #14
12208	12000	208	57.7	1	3 - #4	70	7- #10 / 2- #14
12208-3	12000	208	33.4	3	4 - #8	50	4- #8 / 2- #14

F Controls (60 minute timer) 3000 Watts to 6000 Watts Heaters
Single-phase only 240/208 Volts

Series	Watts	Volts	Amps	Phase	Mas Room Size	Circuit Breaker	Wires from control to heater
30	3000	240 / 208	12.5 / 14.4	1	20 sq ft	20	3 qty #14 ga
45	4500	240 / 208	18.8 / 21.7	1	30 sq ft	30	3 qty #10 ga
60	6000	240 / 208	25 / 28.9	1	42 sq ft	30/40	3 qty #10 ga



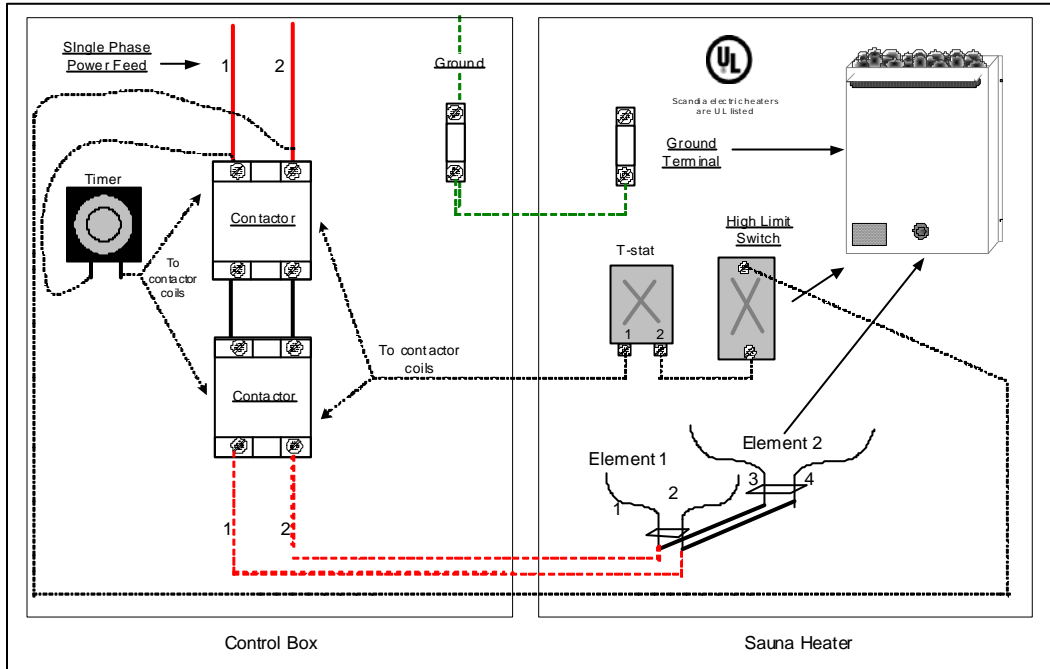
H Controls (for T-Model Heaters) 3000 Watts to 6000 Watts Heaters
Single-phase only 240/208 Volts
240V Single phase



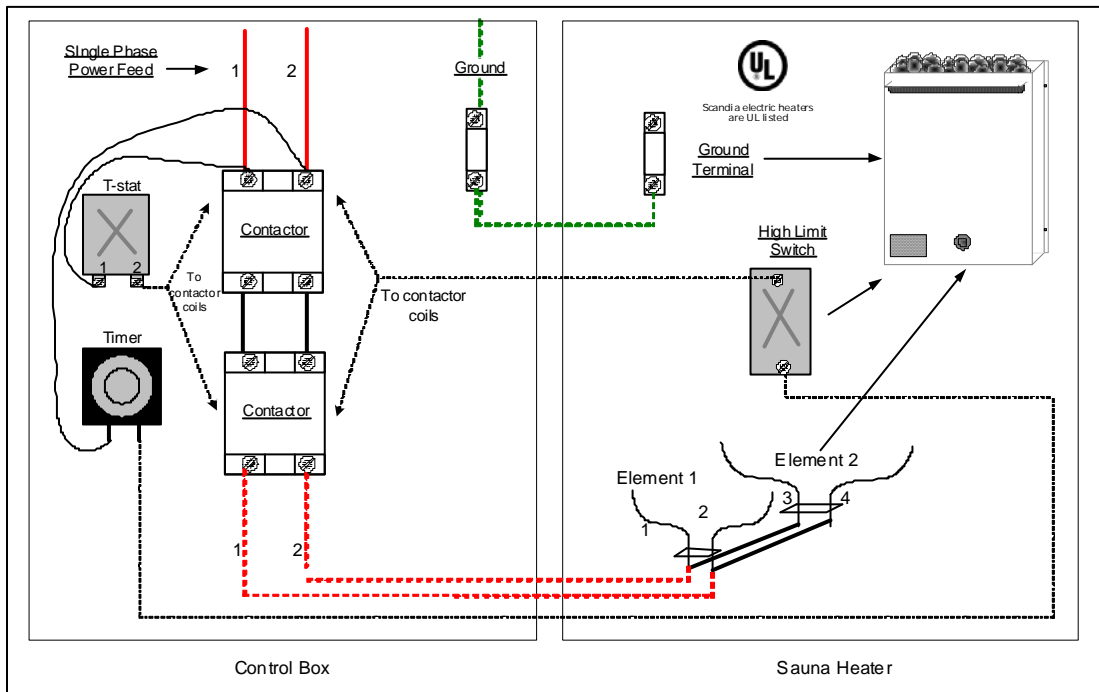
Heater				Controls			
Series	Watts	Volts	Amps	Phase	Mas Room Size	Circuit Breaker	Wires from control to heater
30	3000	240 / 208	12.5 / 14.4	1	20 sq ft	20	3 qty #14 ga
45	4500	240 / 208	18.8 / 21.7	1	30 sq ft	30	3 qty #10 ga
60	6000	240 / 208	25 / 28.9	1	42 sq ft	30/40	3 qty #10 ga

B Controls (60 minute timer) 7500 Watts to 9000 Watts Heaters
Single-phase only 240/208 Volts. For T-Model Heaters

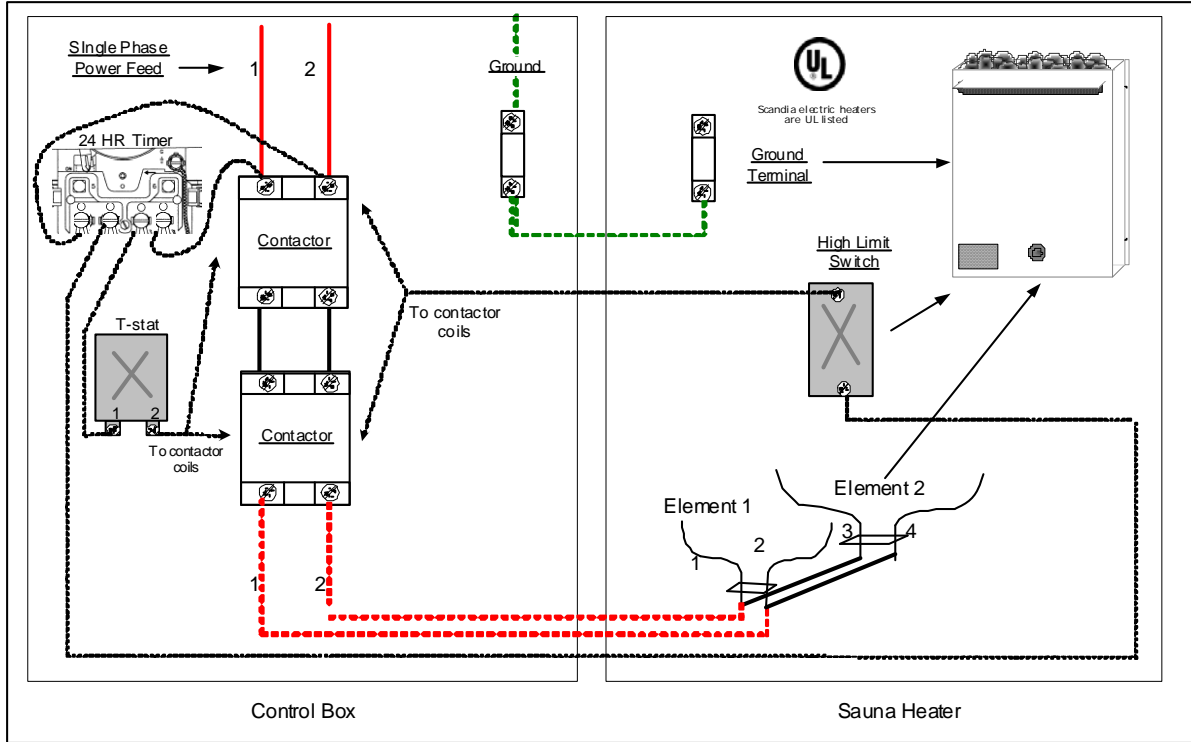
Series	Watts	Volts	Amps	Phase	Mas Room Size	Circuit Breaker	Wires from control to heater
75	7500	240 / 208	31.3 / 36.1	1	56 sq ft	40	3 qty #8 ga - 2 qty #14
90	9000	240 / 208	37.5 / 43.3	1	80 sq ft	50	3 qty #8 ga - 2 qty #14



A Controls (60 minute timer) 7500 Watts to 9000 Watts Heaters
Single-phase only 240/208 Volts

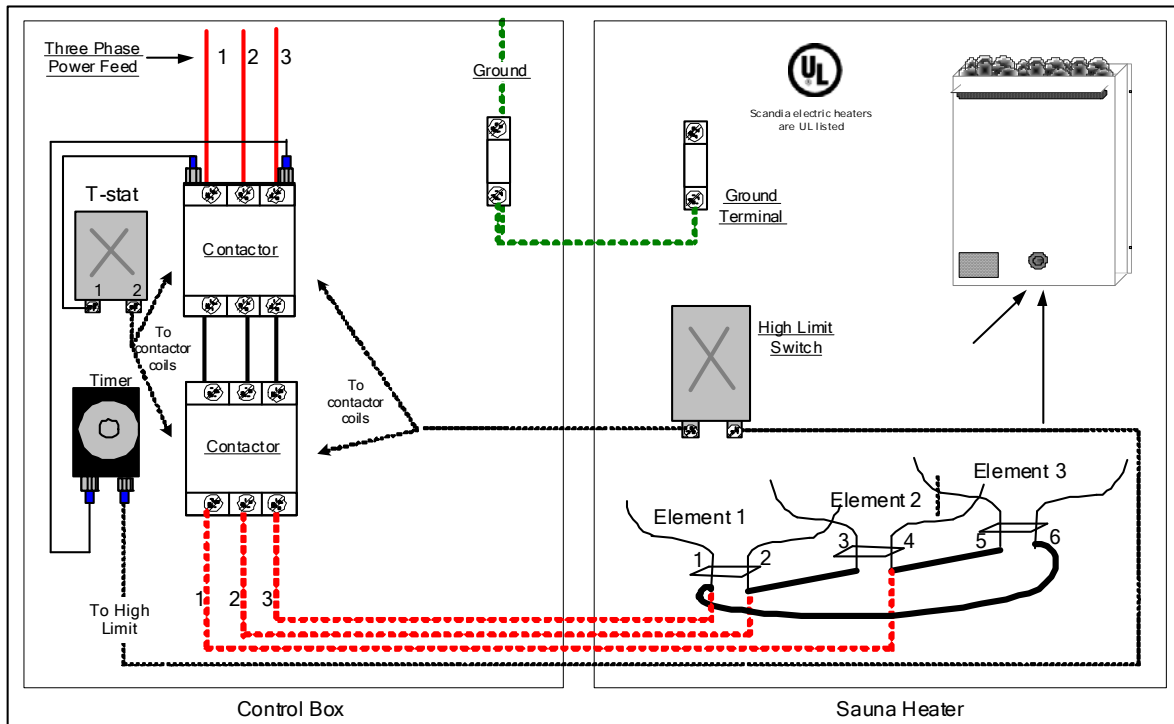


A2-24 Controls 7500 Watts to 9000 Watts Heaters
Single-phase only 240/208 Volts

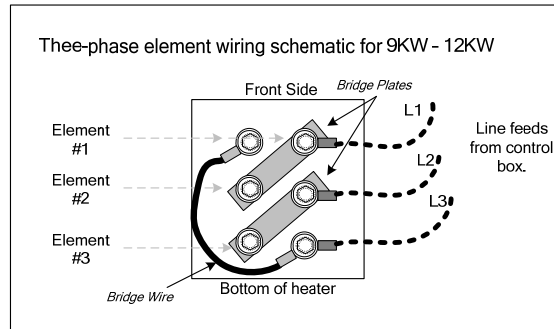
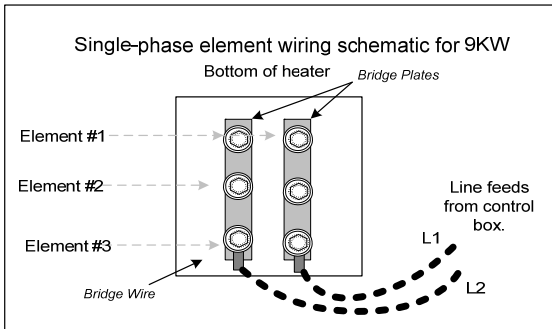
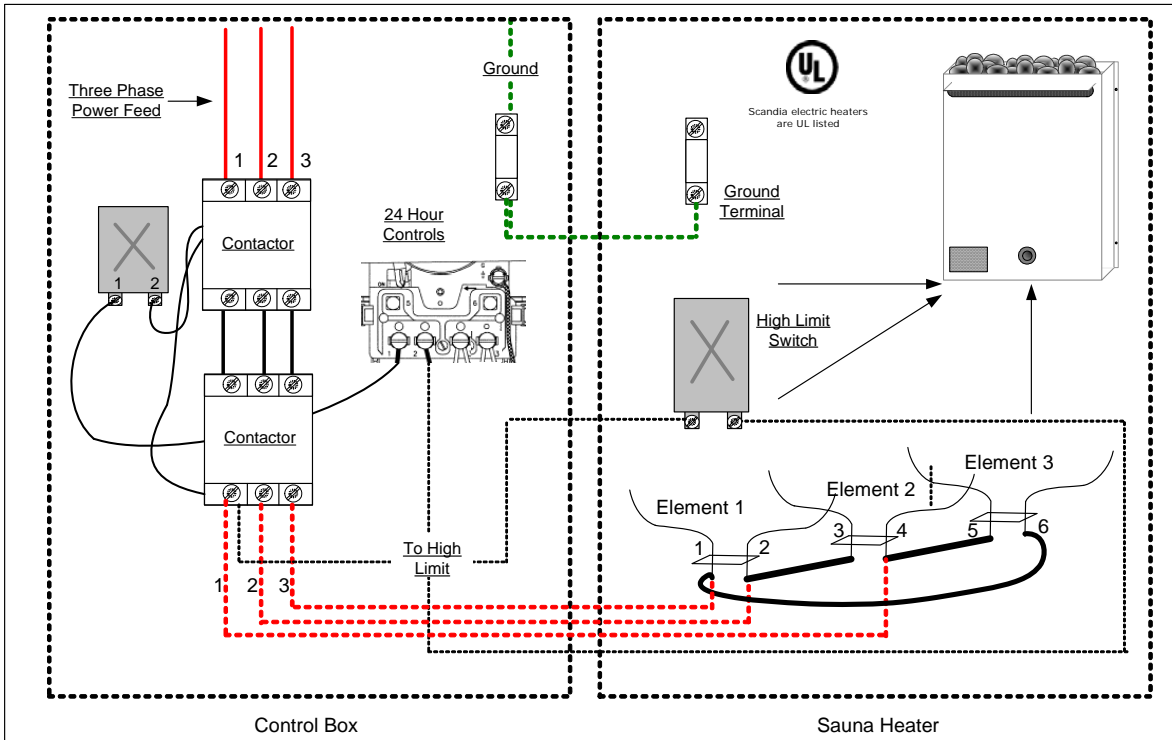


A3 Controls (60 minute timer) 9000 Watts to 12000 Watts Heaters
Three-phase only 240/208 Volts

Series	Watts	Volts	Amps	Phase	M/s Room Size	Circuit Breaker	Supply Wires (incl ground)	Wires from control to heater
90-3	9000	240 / 208	21.7 / 25	3	80 sq ft	60	4 qty #8 ga	4 qty #8 ga - 2 qty #14
120-3	12000	240 / 208	29 / 33.4	3	120 sq ft	40	4 qty #8 ga	4 qty #8 ga - 2 qty #14

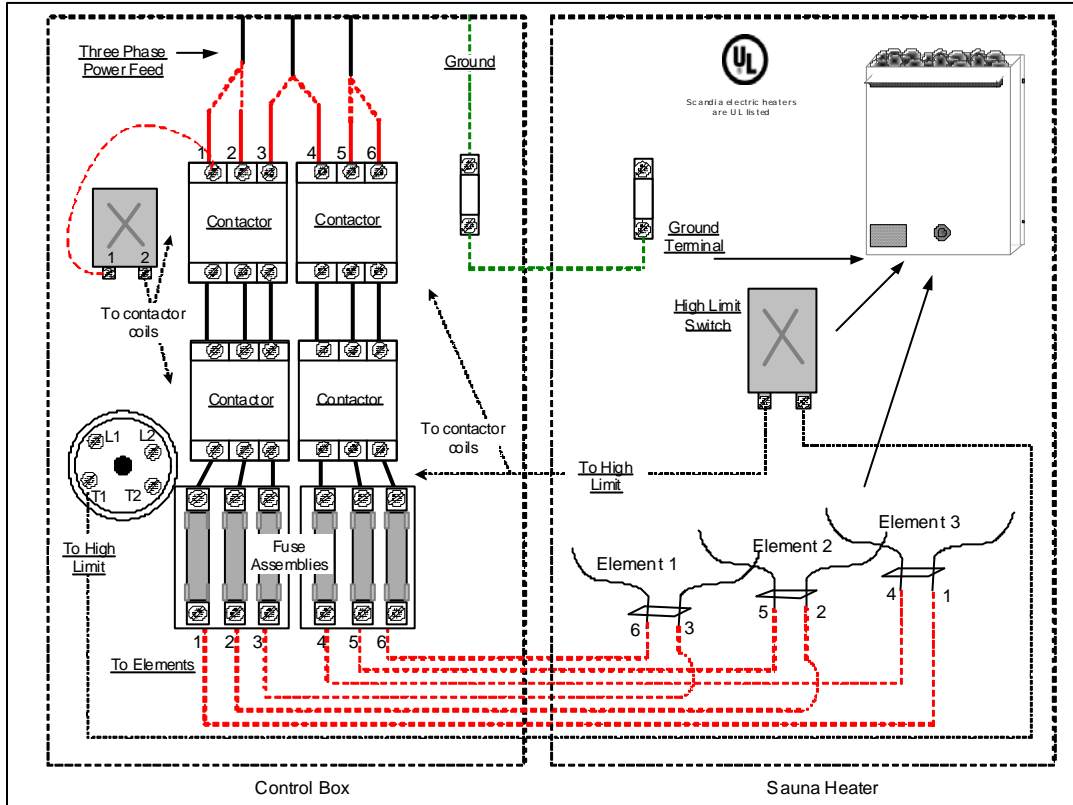


A3-24 Controls 7500 Watts to 12000 Watts Heaters
 Three-phase only 240/208 Volts 24 Hour Timer

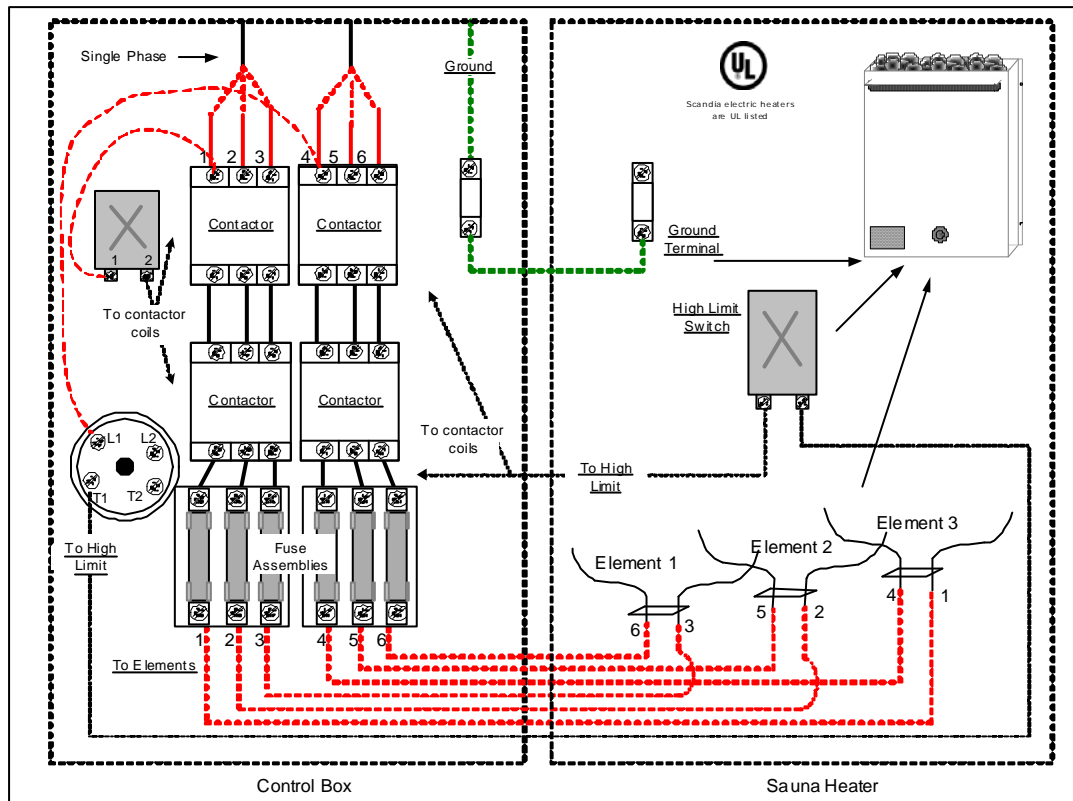


Series	Watts	Volts	Amps	Phase	Mas Room Size	Circuit Breaker	Supply Wires (incl ground)	Wires from control to heater
120	12000	240 / 208	50 / 57.7	1	120 sq ft	60/70	(240V, 3qty #6) 208V, 3qty #4)	7 qty #10 ga - 2 qty #14
150	15000	240 / 208	62.5 / 72.2	1	180 sq ft	70/90	(240V, 3qty #4) 208V, 3qty #2)	7 qty #10 ga - 2 qty #14
150-3	15000	240 / 208	36.2 / 41.7	3	180 sq ft	50	(240V, 4qty #8) 208V, 4qty #6)	7 qty #10 ga - 2 qty #14
180	18000	240 / 208	75 / 86.6	1	240 sq ft	90/100	3qty #2	7 qty #10 ga - 2 qty #14
180-3	18000	240 / 208	43.4 / 50	3	240 sq ft	60	4qty #6	7 qty #10 ga - 2 qty #14

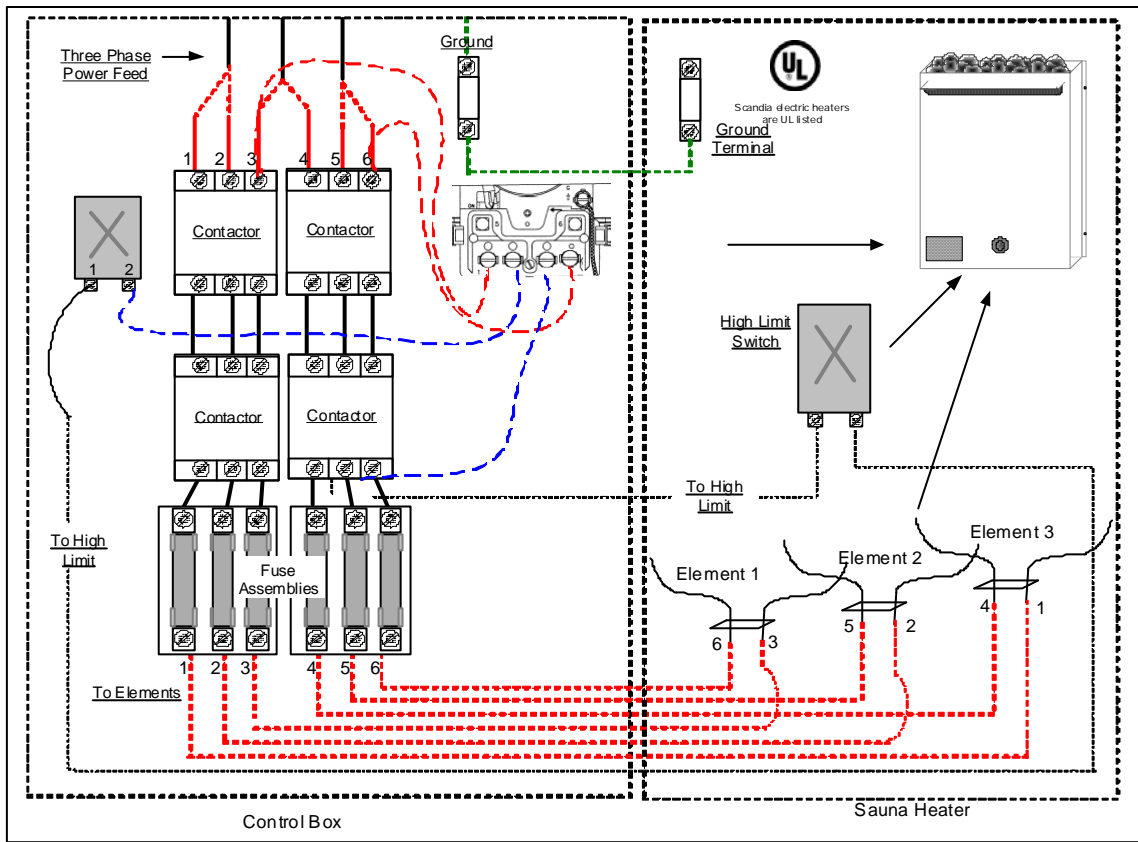
E2 Control for Scandia/Vico 15KW and 18KW Heater
208V and 240V (Three Configuration)



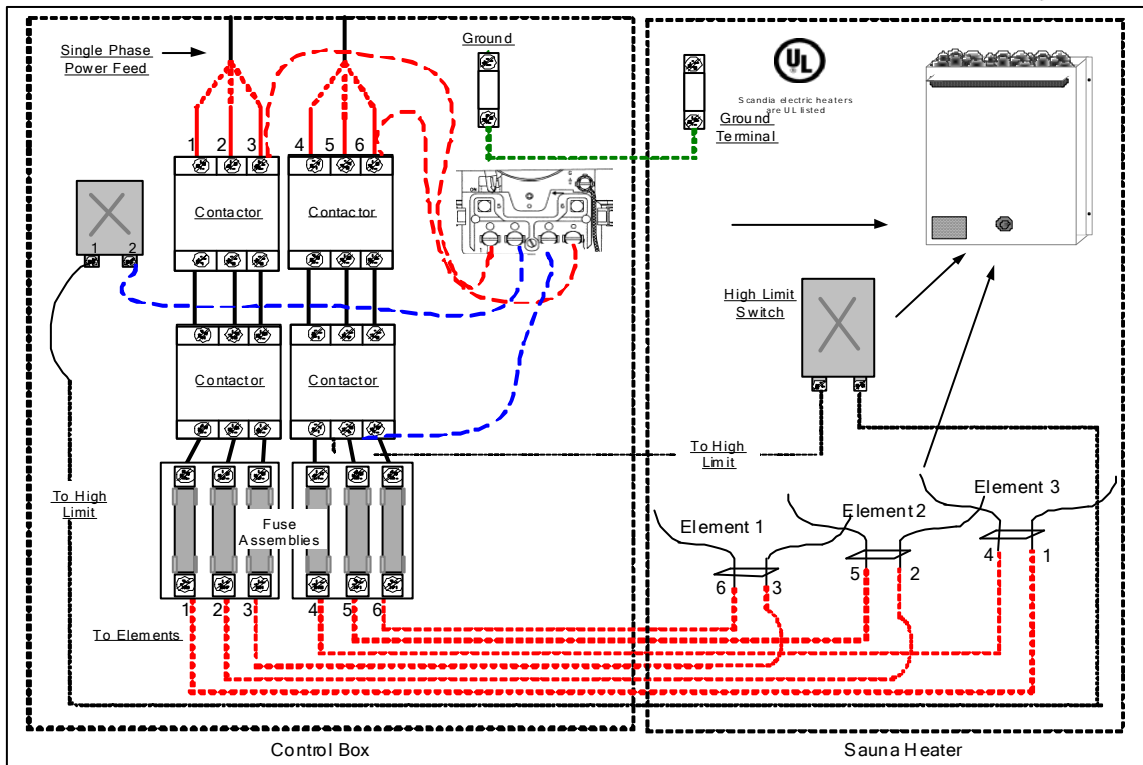
E2 Control for Scandia/Vico 12KW, 15KW and 18KW Heater
208V and 240V (Single Phase Configuration)



E2-24 Control for Scandia/Vico 15KW and 18KW Heater
208V and 240V (Three Configuration) 24 Hour Timer



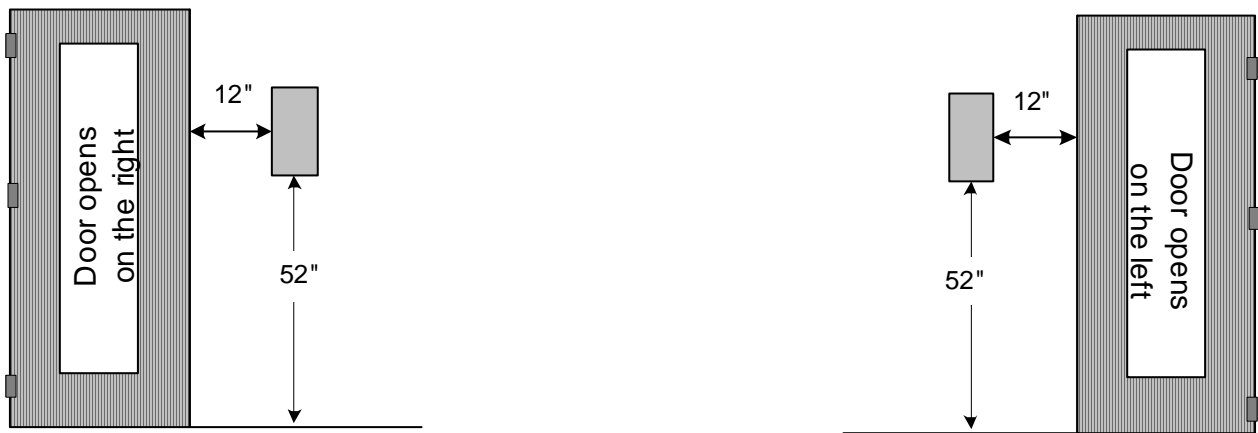
E2-24 Control for Scandia/Vico 12KW,15KW and 18KW Heater
208V and 240V (Single Phase Configuration) 24Hour Timer



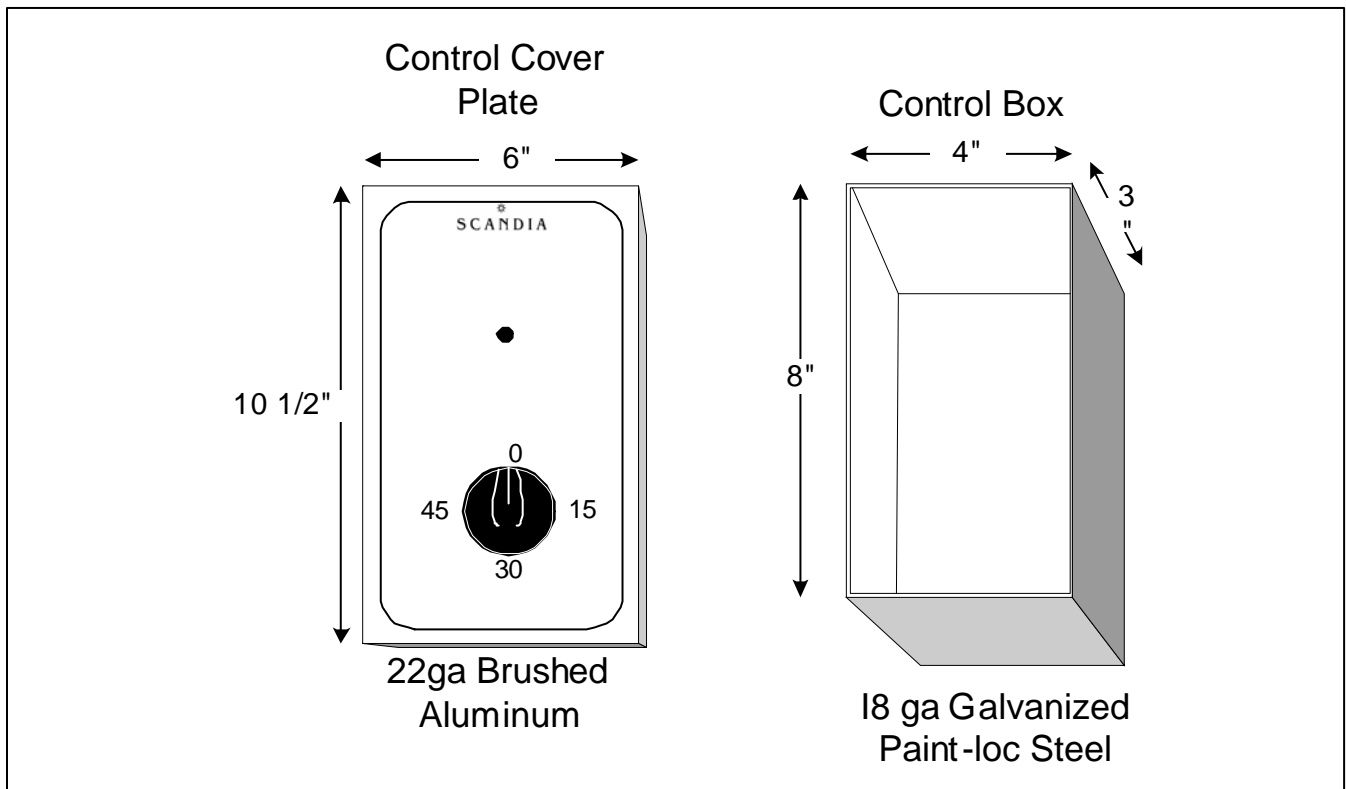
Control Box Location

Commercial Installations – Most commercial facilities with 24 hour timers place the control panel in a service room near the sauna or the electrical room . When the room is not near the sauna the thermostat can be placed near the room separate from the control box . Other configurations include placing the control box near the sauna but having the the controls placed behind the cover (see fig 1). For conduit and wire size , type and quantities see specific heater wire diagram charts .

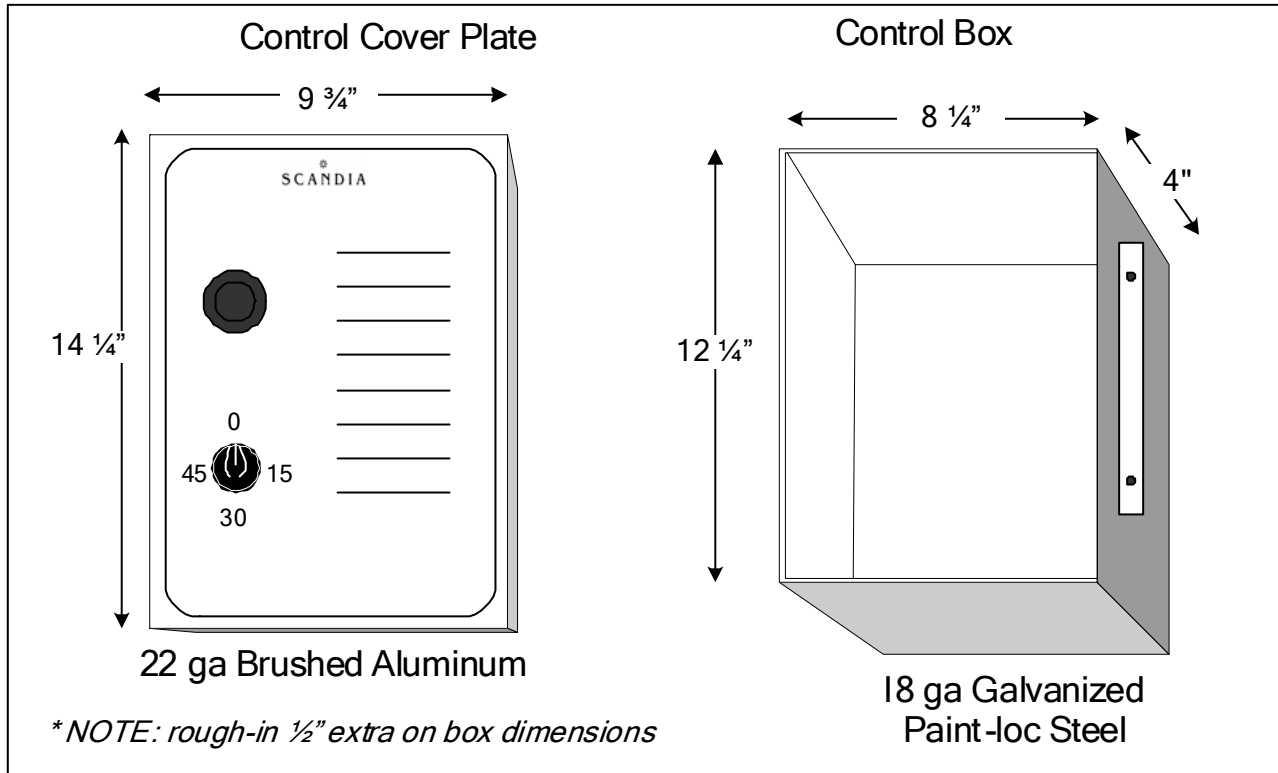
Residential Installations – Place the control box on the side of the door that opens , approximately 12" from the door opening and 52" from the bottom (see fig. 1) . For conduit and wire size , type and quantities see specific heater wire diagram charts .



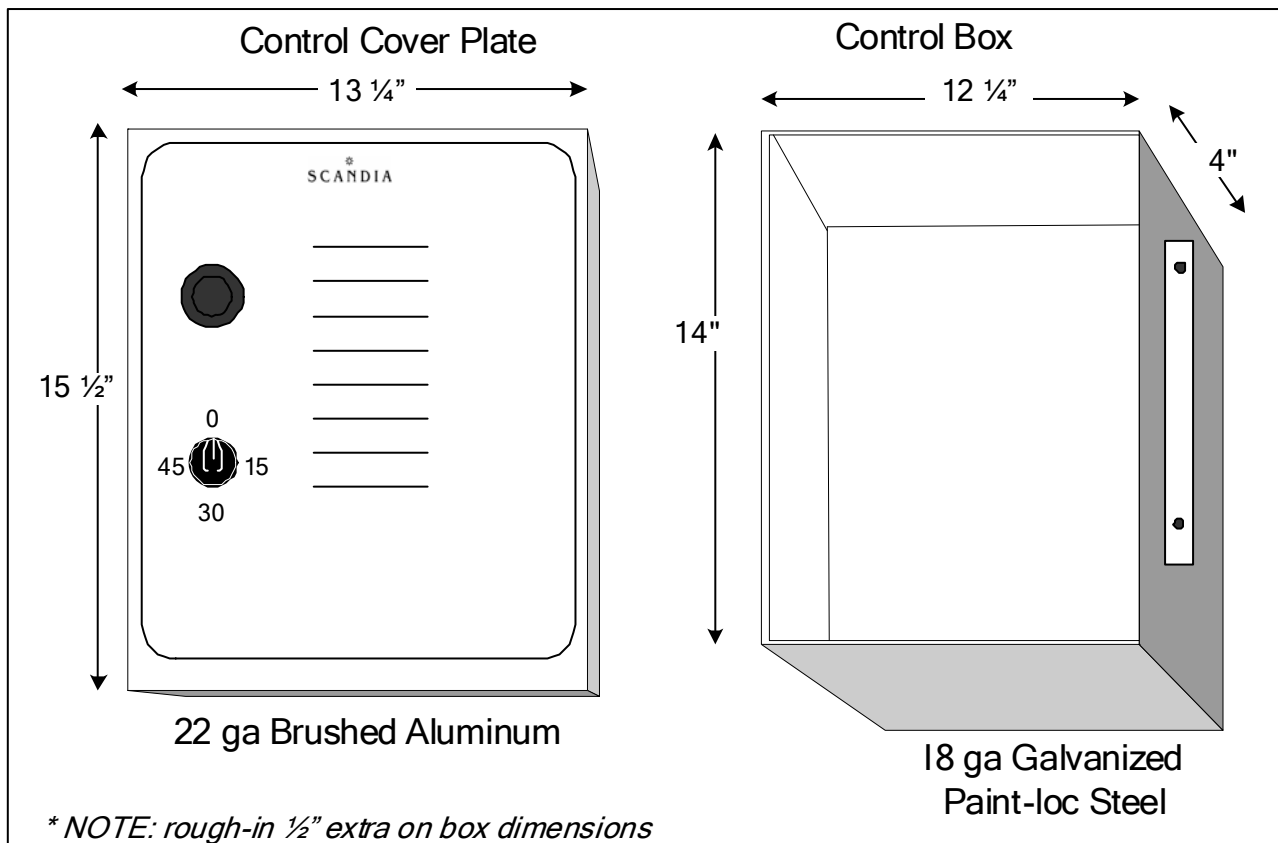
F Control Rough-In Dimensions



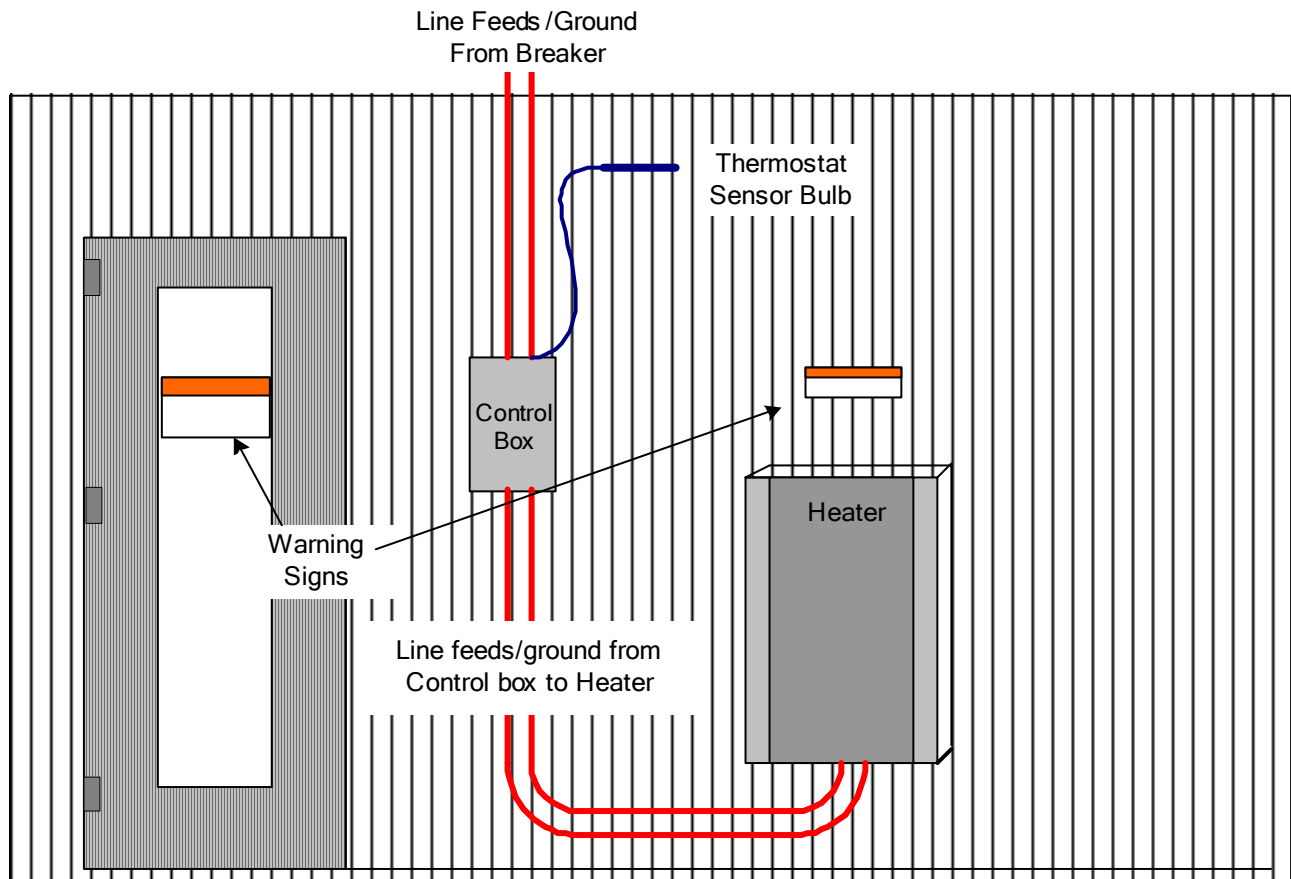
A/B Control Rough-In Dimensions



E/E24 Control Rough-In Dimensions



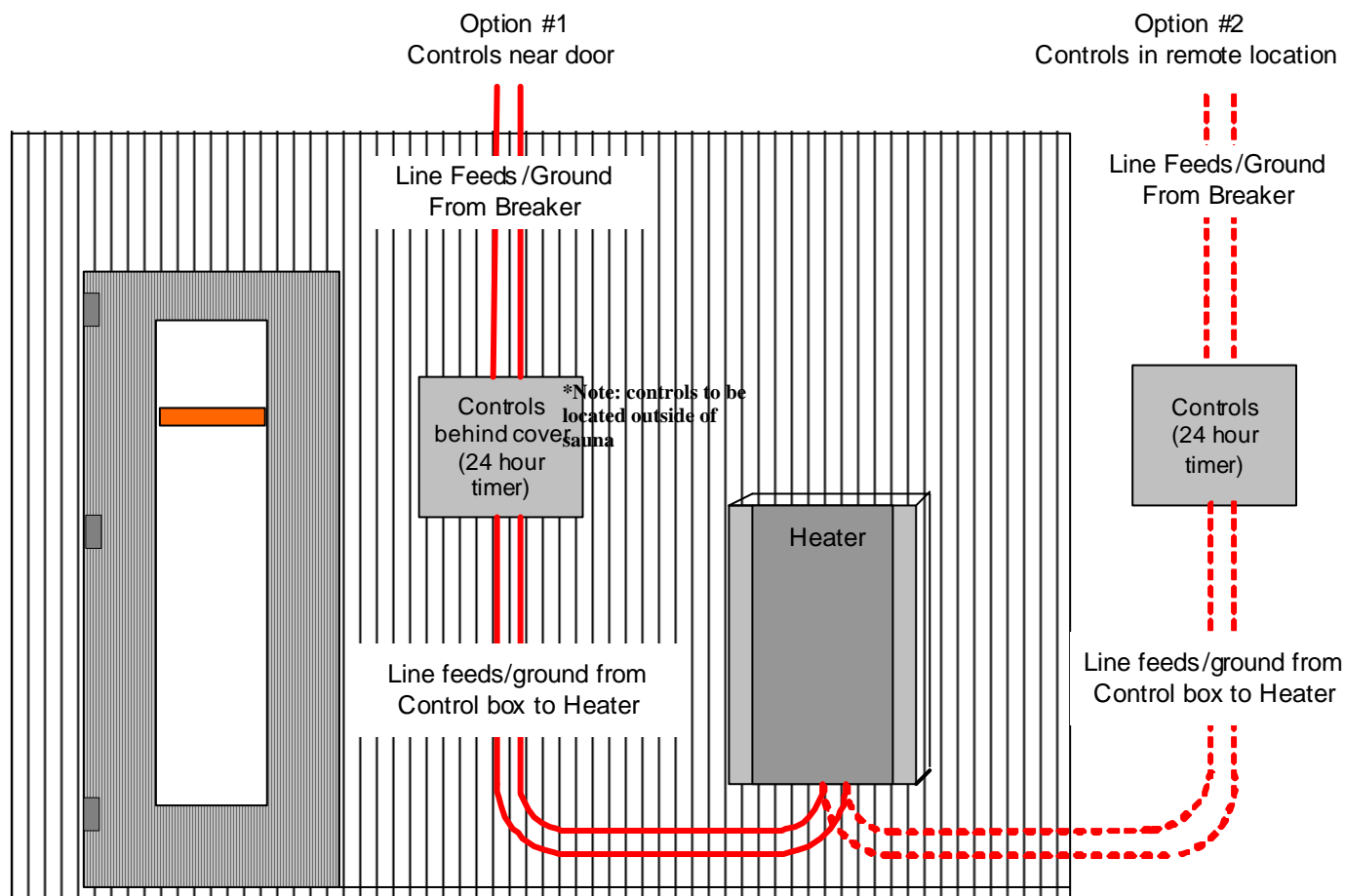
Standard Heater/Control Configuration



IMPORTANT NOTES:

- Heater must be installed by a licensed electrician .
- Heater must be installed inside the sauna room and mounted one foot from the floor .
- Controls must be installed outside of the sauna room .
- Thermostat capillary sensor bulb must be located inside the sauna room (horizontal position) approx . 10 inches from ceiling.
- All wiring must comply with Local and State ordinances : all wiring into the sauna room must be rated for at least 90 degrees Celsius (194 deg Farenhiet) .
- Standard sauna ceiling height is 7 feet .
- Consult all local codes before installation .
- Warning signs must be installed at eye level on door and above heater .
- Door must always swing outward .
- Air intake vent must be installed below heater and an air exhaust vent should be installed .

Commercial Heater/Control Configuration



IMPORTANT NOTES:

- Heater must be installed by a licensed electrician .
- Heater must be installed inside the sauna room and mounted one foot from the floor .
- Controls must be installed outside of the sauna room .
- Thermostat capillary sensor bulb must be located inside the sauna room (horizontal position) approx . 10 inches from ceiling.
- All wiring must comply with Local and State ordinances : all wiring into the sauna room must be rated for at least 90 degrees Celsius (194 deg Farenhiet) .
- Standard sauna ceiling height is 7 feet .
- Consult all local codes before installation .
- Warning signs must be installed at eye level on door and above heater .
- Door must always swing outward .
- Air intake vent must be installed below heater and an air exhaust vent should be installed .
- Thermostat should be placed behind cover and out of control of guests /members . Setting should be no higher than 180 degrees farenheit (85 Celcius)